



REC620



REC440



REC520

# ABSOLUTE ROTARY ENCODERS

## series REC-VA

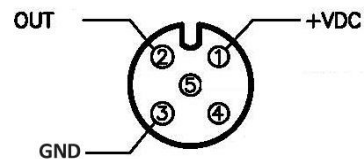
- *Single turn absolute encoders with analogue output*
- *Compact sized encoders*
- *Aluminium housing*
- *Connections by cable or M12 connector*

MECHANICAL VERSIONS				
REC520VA	REC540VA	REC620VA	REC440VA	REC450VA
Round flange Ø 58 mm	Round flange Ø 58 mm	Square flange 63.5x63.5 mm	Hollow shaft	Hollow shaft
Servo coupling	Servo coupling	mm	Joint hole Ø 8, 10, 12, 14 mm	Joint hole Ø 8, 10, 12, 14 mm
Centering mask Ø 50 mm	Centering mask Ø 36 mm	Centering mask Ø 31.75 mm		Fixing by antirotational elastic support
Shaft Ø 6, 8, 9.52, 10mm	Shaft Ø 6, 8, 9.52, 10mm	Shaft Ø 6, 8, 9.52, 10 mm		

MECHANICAL & ENVIRONMENTAL SPECIFICATIONS	
	REC520/540/620 REC440/450
• Materials: case shaft	Aluminium Steel AISI 303
• Weight	210 g circa
• Shaft/joint hole Ø mm	10, 9.52, 8, 6 8, 10, 12, 14
• Revolutions/minute	6000 continuos/10000 temporary
• Starting torque	≤0.8 Ncm
• Inertia	≤25 g cm <sup>2</sup>
• Max load	80 N axial/100 N radial
Vibration resistance (10÷2000 Hz)	100 m/sec <sup>2</sup>
• Shock resistance (11 ms)	50 G
• Protection degree	IP64
• Operating temperature	-10 ÷ 70°C
• Stocking temperature	-20 ÷ 80°C

ELECTRICAL & OPERATING SPECIFICATIONS	
• Resolution	9 bit
• Electronic output	0-10V over 360° analogue output
• Supply voltage	18/24Vdc protection against polarity reversal
• Absorption	30÷80 mA max
• Max frequency	100 KHz
• Connections	Radial cable 1 m long 5-pin M12 radial plug connector 8-pin connector for line driver output Optional: tap connector with cable

CONNECTIONS		
0-10V over 360° analogue output		
SIGNALS	5-pin M12 connector	Cable colours
+ Vdc	pin 1	Brown
Out	pin 2	White
GND	Pin 3	Blue



# elap



REC450



REC620



REC540

## ORDERING INFORMATION

REC520VA	C	18/24	R	10	-
					<b>CONNECTOR</b> M12
					<b>SHAFT/JOINT HOLE Ø</b> Shaft 6 – 8 – 9.52 – 10 mm Joint 8 – 10 – 12 – 14 mm
					<b>CONNECTION POSITION</b> R radial
					<b>SUPPLY VOLTAGE</b> 18/24 Vcc
					<b>CONNECTION TYPE</b> - Connector M12 C Cable

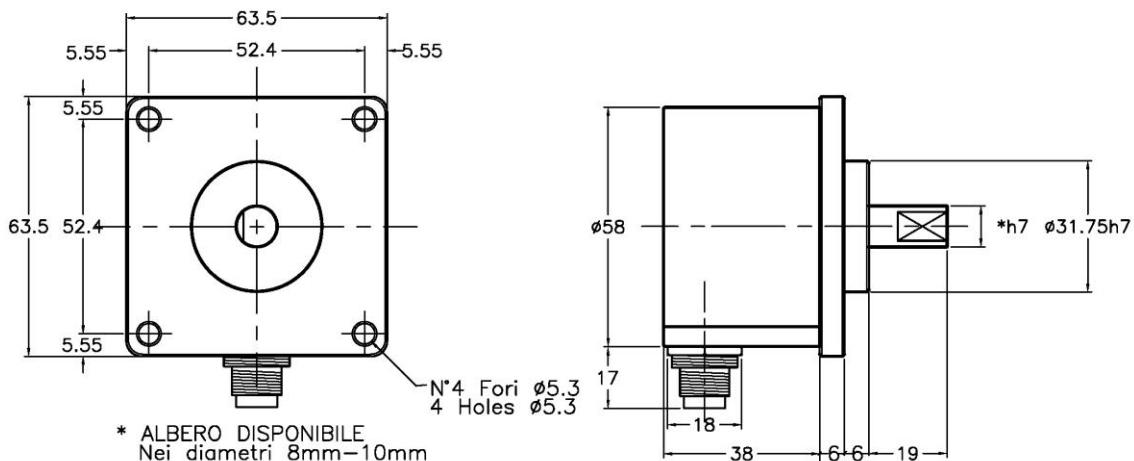
**Type**

- REC520 Round flange, mask 50 mm
- REC540 Round flange, mask 36 mm
- REC620 Square flange
- REC440 Hollow shaft
- REC450 Hollow shaft and elastic support

VARIATIONS ADMITTED WITHOUT NOTICE

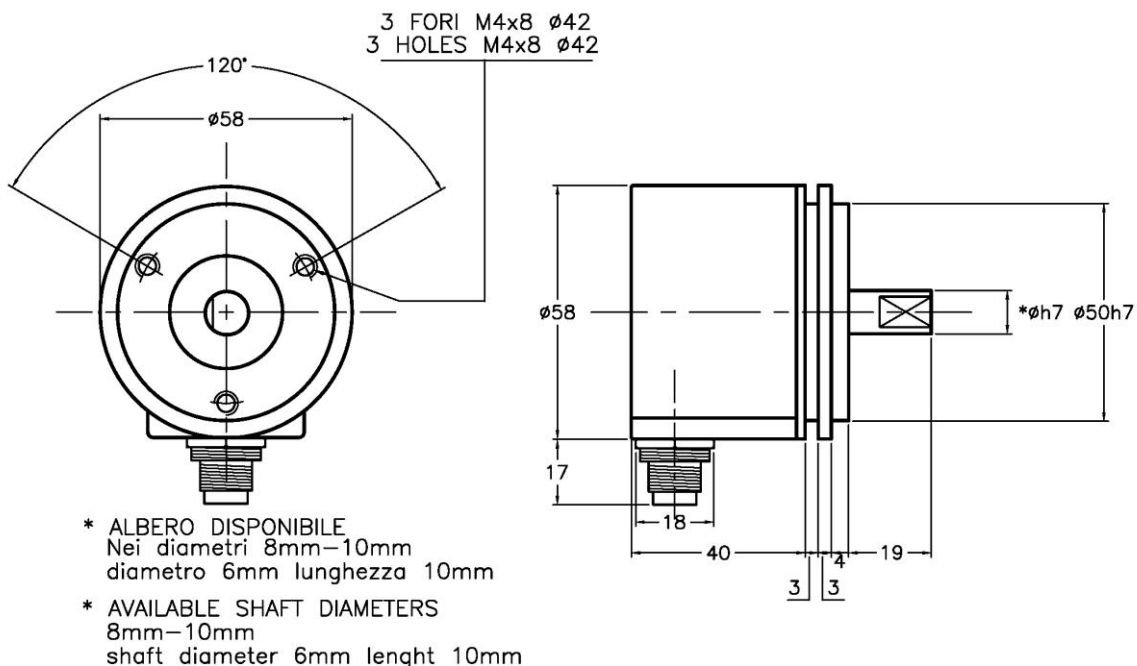
## DIMENSIONS

REC620 uscita connettore M12  
REC620 M12 connector outlet

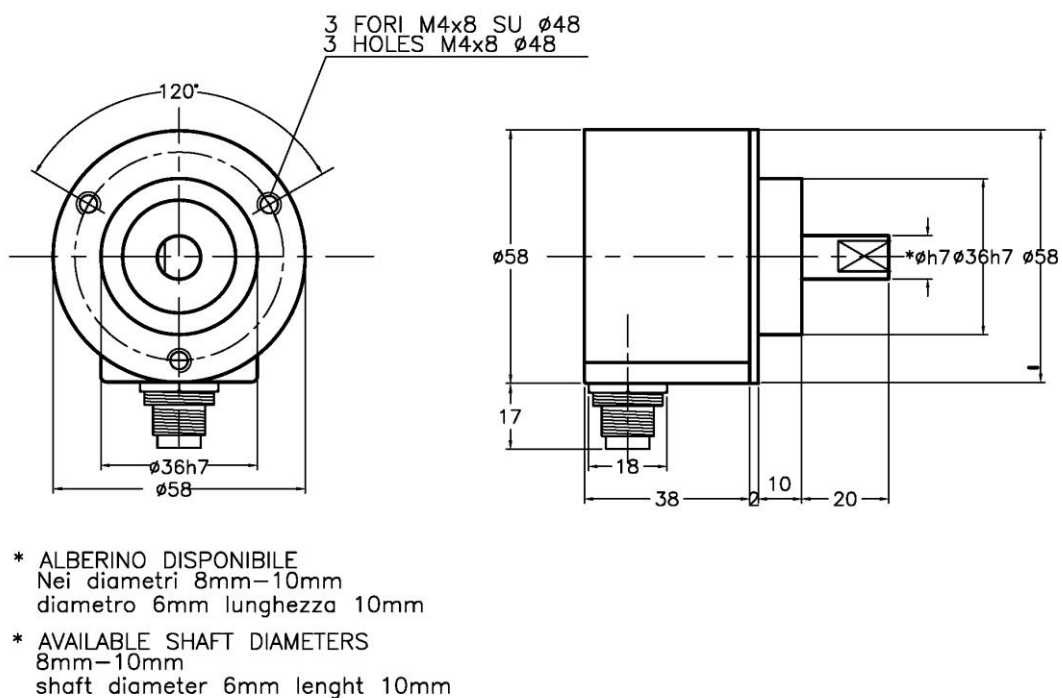


- \* ALBERO DISPONIBILE  
Nei diametri 8mm-10mm  
diametro 6mm lunghezza 10mm
- \* AVAILABLE SHAFT DIAMETERS  
8mm-10mm  
shaft diameter 6mm length 10mm

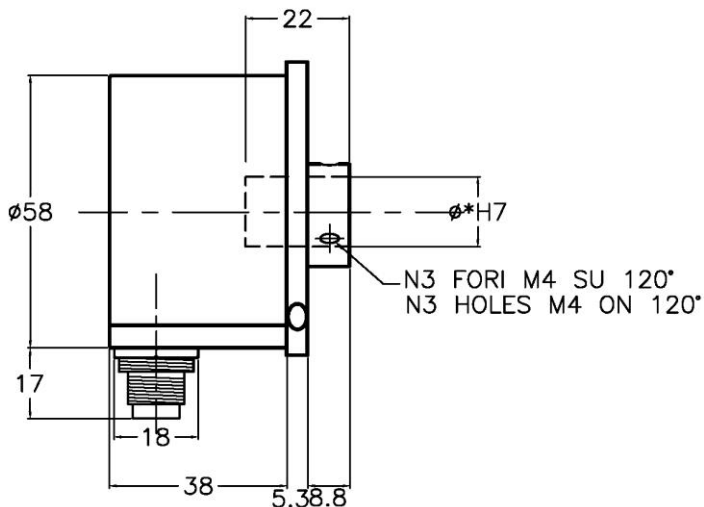
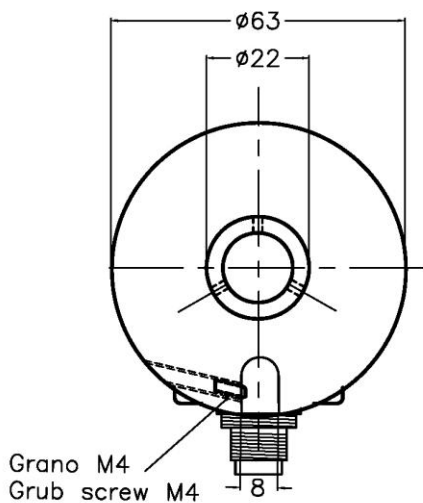
REC520 uscita connettore M12  
REC520 M12 connector outlet



REC540 uscita connettore M12  
REC540 M12 connector outlet

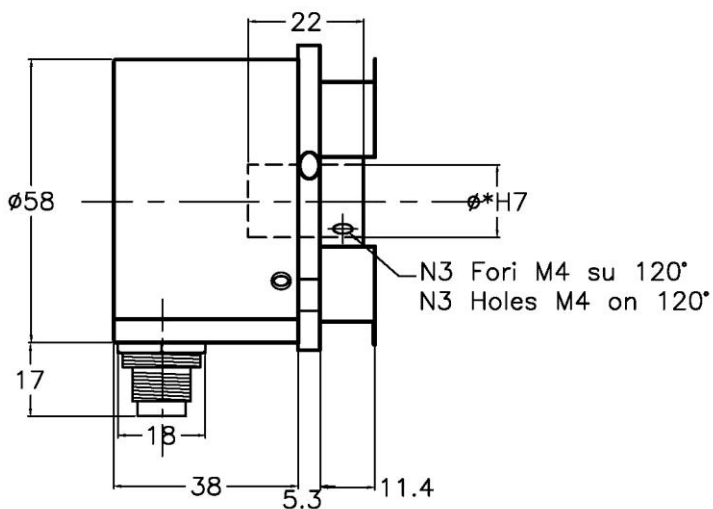
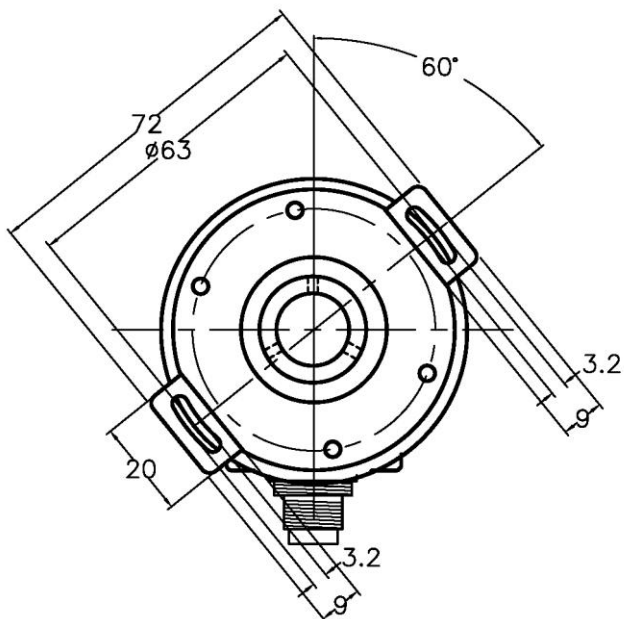


REC440 uscita connettore M12  
REC440 M12 connector outlet



- \* FORO DISPONIBILE nei diametri  
8mm-10mm-12mm-15mm
- \* AVAILABLE HOLE DIAMETERS  
8mm-10mm-12mm-15mm

REC450 uscita connettore M12  
REC450 M12 connector outlet



- \* FORO DISPONIBILE nei diametri  
8mm-10mm-12mm-15mm
- \* AVAILABLE HOLE DIAMETERS  
8mm-10mm-12mm-15mm

Ref M1540

elap