

# HD-T1 SERIES

Related Information

- General terms and conditions..... F-17
- Sensor selection guide ..... P.831~
- General precautions ..... P.1405



## The use of a safe LED light beam now allows for high precision detection with a resolution of 30 μm 1.181 mil

### No safety measures are required at all

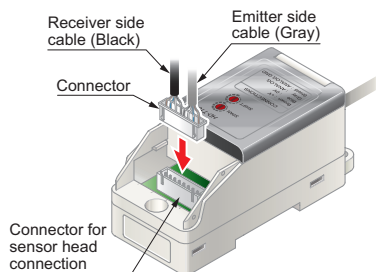
As a safe red LED is used as the light source, there is no need for time-consuming safety measures. The protective covers usually required when using laser beams are not needed, and FDA approval is not required in order to use this sensor in the US.

### High resolution of 30 μm 1.181 mil

Although the HD-T1 series uses a red LED for its light source, it has the same high level of performance as laser sensors, thus enabling high precision detection.

### Easy installation

This unit is equipped with a one-touch connector to connect the sensor head to the controller. The amount of wiring is therefore minimized, resulting in easy maintenance.



### No need for beam axis alignment

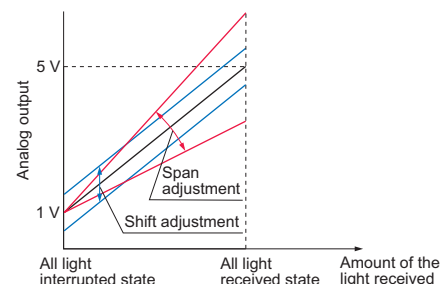
As both the receiver and the emitter are integrated into a single unit, there is no need to perform any troublesome alignment of the beam axis. In addition, as the HD-T1 series can perform its detection function over a broad area - with both a sensing range and a sensing width of 30 mm 1.181 in, this unit can be utilized for sensing wafers of many different sizes.

### Adjustment functions for both span and shift have been incorporated

In addition to the span adjustment function, a convenient shift adjustment function has also been incorporated into the analog output (1 to 5 V). The shift adjustment function allows the analog voltage to be shifted by up to ±0.5 V.

### Low current consumption of 70 mA or less

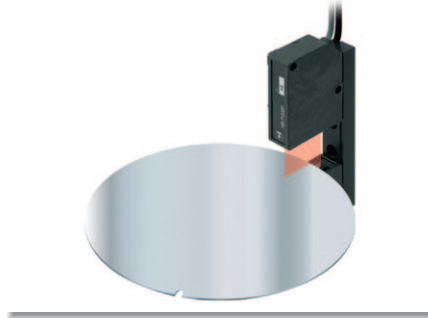
The HD-T1 series has a maximum current consumption of only 70 mA, for both the sensor head and the controller. The current consumption is almost as low as that of photoelectric sensors.




- Selection Guide
- Wafer Detection
- Liquid Leak Detection
- Liquid Level Detection
- Water Detection
- Color Mark Detection
- Hot Melt Glue Detection
- Ultrasonic
- Small / Slim Object Detection
- Obstacle Detection
- Other Products

M-DW1


HD-T1

**APPLICATIONS****Detecting wafer eccentricities or notches****ORDER GUIDE****Sensor head**

Appearance	Sensing range	Sensing width	Model No.
	30 mm <b>1.181 in</b> (fixed) (Note)	30 mm <b>1.181 in</b>	<b>HD-T1030</b>

Note: The value is in a state that the sensor is mounted on the mounting base at the time of factory shipment.

**Controller**

Appearance	Model No.	Output
	<b>HD-T1C</b>	Analog voltage • Output voltage: 1 to 5 V

Make sure to use the sensor head and the controller together as a set.

**SPECIFICATIONS****Sensor head**

Model No.		<b>HD-T1030</b>
Item		<b>HD-T1030</b>
Applicable controller		<b>HD-T1C</b>
Sensing width		30 mm <b>1.181 in</b> (Linearity is specified at 28 mm <b>1.102 in</b> width.)
Sensing range		30 mm <b>1.181 in</b> (fixed) (Note 2)
Environmental resistance	Pollution degree	3 (Industrial environment)
	Protection	IP40 (IEC)
	Ambient temperature	0 to +40 °C <b>+32 to +104 °F</b> (No dew condensation), Storage: -20 to +55 °C <b>-4 to +131 °F</b>
	Ambient humidity	35 to 85 % RH, Storage: 35 to 85 % RH
	Ambient illuminance	Incandescent light: 3,000 lx at the light-receiving face, Fluorescent light: 3,000 lx at the light-receiving face
	Voltage withstandability	1,000 V AC for one min. between all supply terminals connected together and enclosure
	Insulation resistance	20 MΩ, or more, with 250 V DC megger between all supply terminals connected together and enclosure
	Vibration resistance	10 to 150 Hz frequency, 0.75 mm <b>0.030 in</b> amplitude in X, Y and Z directions for two hours each
	Shock resistance	490 m/s <sup>2</sup> acceleration (50 G approx.) in X, Y and Z directions for three times each
Emitting element		Red LED (Peak emission wavelength: 650 nm <b>0.026 mil</b> )
Receiving element		Photodiode
Material		Enclosure: PEI, Front cover: Glass, Mounting base: Aluminum
Cable		Heat-resistant PVC cable, 0.5 m <b>1.640 ft</b> long, with a connector at the end
Weight		Net weight: 150 g approx.

Notes: 1) Where measurement conditions have not been specified precisely, the conditions used were an ambient temperature of +20 °C **+68 °F**.  
2) The value is in a state that the sensor is mounted on the mounting base at the time of factory shipment.

FIBER  
SENSORSLASER  
SENSORSPHOTO-  
ELECTRIC  
SENSORSMICRO  
PHOTO-  
ELECTRIC  
SENSORSAREA  
SENSORSLIGHT  
CURTAINSPRESSURE /  
FLOW  
SENSORSINDUCTIVE  
PROXIMITY  
SENSORSPARTICULAR  
USE  
SENSORSSENSOR  
OPTIONSSIMPLE  
WIRE-SAVING  
UNITSWIRE-SAVING  
SYSTEMSMEASURE-  
MENT  
SENSORSSTATIC  
CONTROL  
DEVICES

ENDSCOPE

LASER  
MARKERSPLC /  
TERMINALSHUMAN  
MACHINE  
INTERFACESENERGY  
CONSUMPTION  
VISUALIZATION  
COMPONENTSFA  
COMPONENTSMACHINE  
VISION  
SYSTEMSUV  
CURING  
SYSTEMSSelection  
GuideWafer  
DetectionLiquid Leak  
DetectionLiquid Level  
DetectionWater  
DetectionColor Mark  
DetectionHot Melt Glue  
Detection

Ultrasonic

Small / Slim  
Object  
DetectionObstacle  
DetectionOther  
Products**M-DW1****HD-T1**

FIBER SENSORS  
LASER SENSORS  
PHOTO-ELECTRIC SENSORS  
MICRO PHOTO-ELECTRIC SENSORS  
AREA SENSORS  
LIGHT CURTAINS  
PRESSURE / FLOW SENSORS  
INDUCTIVE PROXIMITY SENSORS  
PARTICULAR USE SENSORS  
SENSOR OPTIONS  
SIMPLE WIRE-SAVING UNITS  
WIRE-SAVING SYSTEMS  
MEASUREMENT SENSORS  
STATIC CONTROL DEVICES  
ENDOSCOPE  
LASER MARKERS  
PLC / TERMINALS  
HUMAN MACHINE INTERFACES  
ENERGY CONSUMPTION VISUALIZATION COMPONENTS  
FA COMPONENTS  
MACHINE VISION SYSTEMS  
UV CURING SYSTEMS

## SPECIFICATIONS

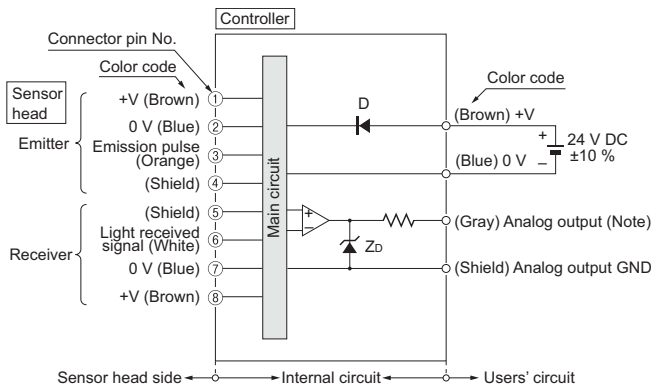
### Controller

Model No.	HD-T1C	
Item	HD-T1C	
Applicable sensor head	HD-T1030	
Supply voltage	24 V DC $\pm 10\%$ Ripple P-P 10 % or less	
Current consumption	70 mA or less (Including sensor head)	
Analog output	Analog voltage • Output voltage: $1 \pm 0.5$ V (all light interrupted) to $5 \pm 0.5$ V (all light received) • Output impedance: 75 $\Omega$	
	Response time	0.5 ms or less (8 V/ms or more)
	Resolution	30 $\mu\text{m}$ 1.181 mil (Note 2)
	Linearity	$\pm 1.0\%$ F.S. (at 28 mm 1.102 in sensing width of the sensing center) (Note 3)
	Temperature characteristics	$\pm 0.1\%$ F.S./ $^{\circ}\text{C}$ (at $24 \pm 2$ $^{\circ}\text{C}$ 75.2 $\pm$ 35.6 $^{\circ}\text{F}$ ) (Note 3)
Span adjustment function	Span of the analog output voltage is adjusted. 15-turn endless adjuster	
Shift adjustment function	Offset of the analog output voltage is adjusted. 15-turn endless adjuster	
Warming-up period	30 min. or more	
Environmental resistance	Pollution degree	3 (Industrial environment)
	Protection	IP40 (IEC)
	Ambient temperature	0 to +40 $^{\circ}\text{C}$ +32 to +104 $^{\circ}\text{F}$ (No dew condensation), Storage: -20 to +70 $^{\circ}\text{C}$ -4 to +158 $^{\circ}\text{F}$
	Ambient humidity	35 to 85 % RH, Storage: 35 to 85 % RH
	EMC	EN 61000-6-2, EN 61000-6-4
	Voltage withstandability	1,000 V AC for one min. between all supply terminals connected together and enclosure
	Insulation resistance	20 M $\Omega$ , or more, with 250 V DC megger between all supply terminals connected together and enclosure
	Vibration resistance	10 to 150 Hz frequency, 0.75 mm 0.030 in amplitude in X, Y and Z directions for two hours each
Shock resistance	490 m/s <sup>2</sup> acceleration (50 G approx.) in X, Y and Z directions for three times each	
Material	Enclosure: Heat-resistant ABS, Connector cover: Heat-resistant ABS, Adjuster cover: Polycarbonate	
Cable	0.22 mm <sup>2</sup> 3-core heat-resistant PVC cable, 0.3 m 0.984 ft long	
Cable extension	Extension up to total 3 m 9.843 ft is possible with 0.3 mm <sup>2</sup> , or more, heat-resistant PVC cable.	
Weight	Net weight: 85 g approx.	

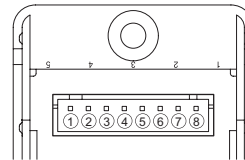
Notes: 1) Where measurement conditions have not been specified precisely, the conditions used were an ambient temperature of +20  $^{\circ}\text{C}$  +68  $^{\circ}\text{F}$ .  
 2) Resolution refers to the peak to peak distance conversion value of analog output (in the frequency band below 20 MHz).  
 3) This is the representative example of measurement with a combination of sensor head and controller.

## I/O CIRCUIT AND WIRING DIAGRAMS (Controller)

### I/O circuit diagram



### Terminal arrangement



Terminal No.	Description	
①	+V	Emitter side
②	0 V	
③	Emission pulse	
④	Shield	
⑤	Shield	Receiver side
⑥	Light received signal	
⑦	0 V	
⑧	+V	

Note: Analog output does not incorporate a short-circuit protection circuit. Do not connect it directly to a power supply or a capacity load.

Symbols ... D : Reverse supply polarity protection diode  
 Zd: Surge absorption zener diode

M-DW1

HD-T1

Selection Guide  
Wafer Detection  
Liquid Leak Detection  
Liquid Level Detection  
Water Detection  
Color Mark Detection  
Hot Melt Glue Detection  
Ultrasonic  
Small / Slim Object Detection  
Obstacle Detection  
Other Products

**PRECAUTIONS FOR PROPER USE**

Refer to General precautions.

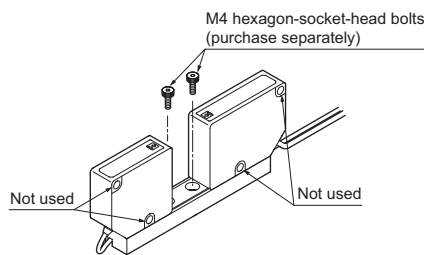


- Never use this product as a sensing device for personnel protection.
- In case of using sensing devices for personnel protection, use products which meet laws and standards, such as OSHA, ANSI or IEC etc., for personnel protection applicable in each region or country.

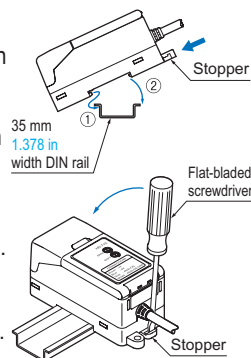
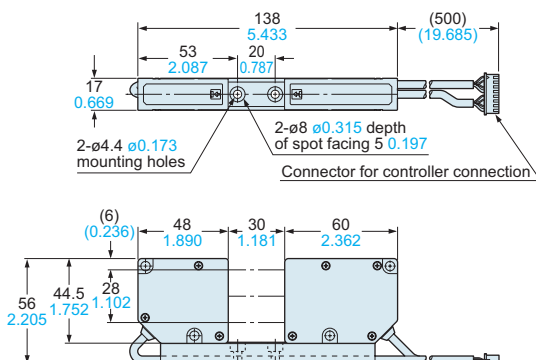
- Make sure to use the sensor head and the controller together as a set.

**Mounting****Sensor head**

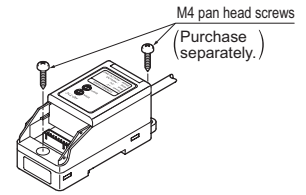
- Mount the sensor head using 2 pcs. M4 hexagon-socket-head bolts (purchase separately) with a tightening torque of 0.5 N·m or less.
- Do not remove the screws fixing the emitter / receiver and the mounting base. If removed, the output value will change.
- Do not fix with the screws, using the mounting hole on the side of emitter / receiver.

**Controller****<In case of using DIN rail>**

- ① Fit the front part of the mounting section of the unit on the 35 mm 1.378 in width DIN rail, pressing the stopper towards the arrow (the stopper is locked) shown in the right figure.
  - ② Press down the rear part of the mounting section of the unit on the 35 mm 1.378 in width DIN rail to fit it.
- \* For removal, insert a flat-bladed screwdriver into the groove of the stopper and pull the handle backwards.

**DIMENSIONS (Unit: mm in)****HD-T1030****Sensor head****<In case of using screws>**

- Mount using M4 pan head screws with a tightening torque of 1.2 N·m or less.

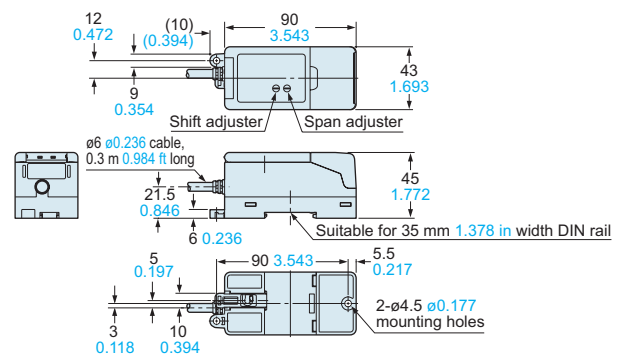
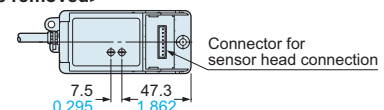
**Wiring**

- Analog output of controller does not incorporate a short-circuit protection circuit. Do not connect it directly to a power supply or a capacity load.
- Care should be taken that static electricity is not applied to the connector during wiring. It may damage the product.
- Take care that wrong wiring will damage the product.
- Cable extension is possible up to total 3 m 9.843 ft with 0.3 mm<sup>2</sup>, or more, cable. Note that the cable length of the sensor head cannot be changed.
- Do not apply stress such as forced bending and pulling to the cable joint.
- Make sure to use an isolation transformer for the DC power supply. If an autotransformer (single winding transformer) is used, this product or the power supply may get damaged.
- In case a surge is generated in the used power supply, connect a surge absorber to the supply and absorb the surge.

**Others**

- Do not use during the initial transient time (0.5 sec. approx.) after the power supply is switched on.
- This product outputs according to the amount of LED light received. Optical power varies between the center and the periphery of sensing range, and note that dimensional accuracy cannot be assured.
- Do not allow any water, oil, fingerprints, etc., which may refract light, or dust, dirt, etc., which may block light, to stick to the emitting / receiving surfaces of the sensor head. In case they are present, wipe them with a clean, dust-free soft cloth or lens paper.
- If the sensing object is specular or transparent object, note that accurate measurement may not be possible.

The CAD data in the dimensions can be downloaded from our website.

**HD-T1C****Controller****<When the cover is removed>**

FIBER SENSORS

LASER SENSORS

PHOTO-ELECTRIC SENSORS

MICRO PHOTO-ELECTRIC SENSORS

AREA SENSORS

LIGHT CURTAINS

PRESSURE / FLOW SENSORS

INDUCTIVE PROXIMITY SENSORS

PARTICULAR USE SENSORS

SENSOR OPTIONS

SIMPLE WIRE-SAVING UNITS

WIRE-SAVING SYSTEMS

MEASUREMENT SENSORS

STATIC CONTROL DEVICES

ENDOSCOPE

LASER MARKERS

PLC / TERMINALS

HUMAN MACHINE INTERFACES

ENERGY CONSUMPTION VISUALIZATION COMPONENTS

FA COMPONENTS

MACHINE VISION SYSTEMS

UV CURING SYSTEMS

Selection Guide

Wafer Detection

Liquid Leak Detection

Liquid Level Detection

Water Detection

Color Mark Detection

Hot Melt Glue Detection

Ultrasonic

Small / Slim Object Detection

Obstacle Detection

Other Products

M-DW1

HD-T1